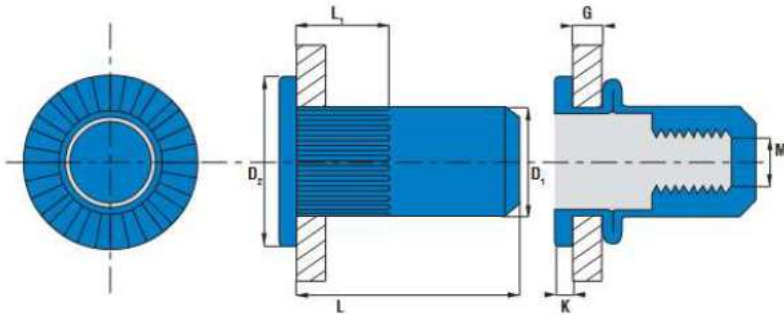


ENDB - STAINLESS KNURLED FLANGE CLOSED END INSERT

Insert/Knurled. Cylindrical head. Stainless steel.



PART NO/REF	M	D ₁	D ₂	K	L	L ₁	G
	Ø (mm)	Ø (mm)	Ø (mm)	(mm)	(mm)	(mm)	min-max (mm)
ENDB0430	M4	5.9	9.0	1.0	18.0	4.0	0.5-2.0
ENDB0530	M5	6.9	10.0	1.0	19.0	4.0	0.5-2.5
ENDB0630	M6	8.9	12.3	1.3	21.0	4.0	0.5-3.0
ENDB0830	M8	10.9	15.0	1.5	25.0	4.0	1.0-3.5
ENDB1030	M10	12.9	17.0	1.7	27.0	4.0	1.0-4.0

	DRILLING	RECOMMENDED MAX TORQUE	PULL-OUT	SHEAR
M (mm)	(mm)	(Nm)	(N)	(N)
M4	6.0	4.5	4 840	1 600
M5	7.0	6.0	11 070	2 700
M6	9.0	20.0	17 600	3 400
M8	11.0	29.0	27 000	4 400
M10	13.0	32.0	28 000	4 900