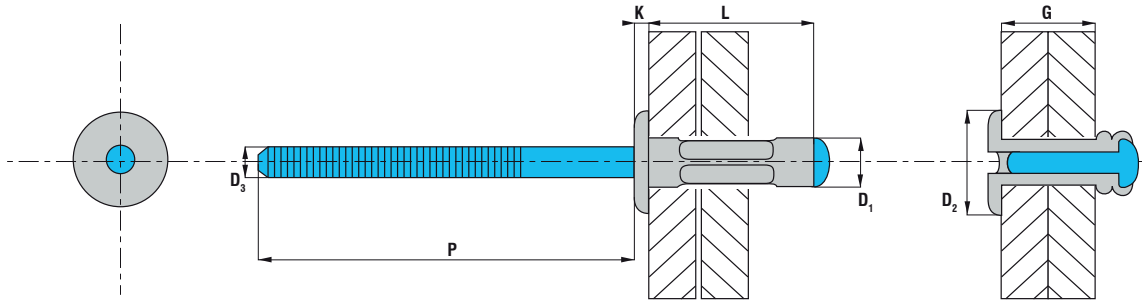
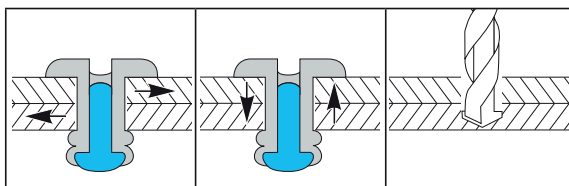


# Multi-Grip - DOME HEAD

Mandrel: Stainless Steel A2. Body: Aluminium.



PART NO/REF	$D_1$	$L$	$D_2$	$K$	$D_3$	$P$	$G$
	$\varnothing$ (mm)	(mm)+1.0 / -0.2	$\varnothing$ (mm)	(mm)	$\varnothing$ (mm)	mini (mm)	min-max (mm)
UND3208	3.2 +0.08 / -0.10	8.0	6.0 -0.25 / +0.25	1.40 -0.3 / +0.0	1.78	27	1.0-4.8
UND3209		9.5					1.2-6.4
UND3211		11.1					4.0-7.9
UND4009	4.0 +0.08 / -0.15	9.5	8.0 -0.30 / +0.30	1.70 -0.4 / +0.0	2.18	27	1.2-6.4
UND4012		12.7					4.0-9.5
UND4016		16.9					6.4-12.7
UND4810	4.8 +0.08 / -0.15	10.3	9.5 -0.30 / +0.30	2.0 -0.5 / +0.0	2.78	27	1.6-6.4
UND4815		15.1					4.8-11.0
UND4816		16.9					6.4-12.7
UND4824		24.8					12.7-19.8



$D_1$ (mm)	(N)	(N)	$\varnothing$ (mm)
3.2	680	980	3.3
4.0	1 150	1 600	4.1
4.8	1 500	2 350	4.9