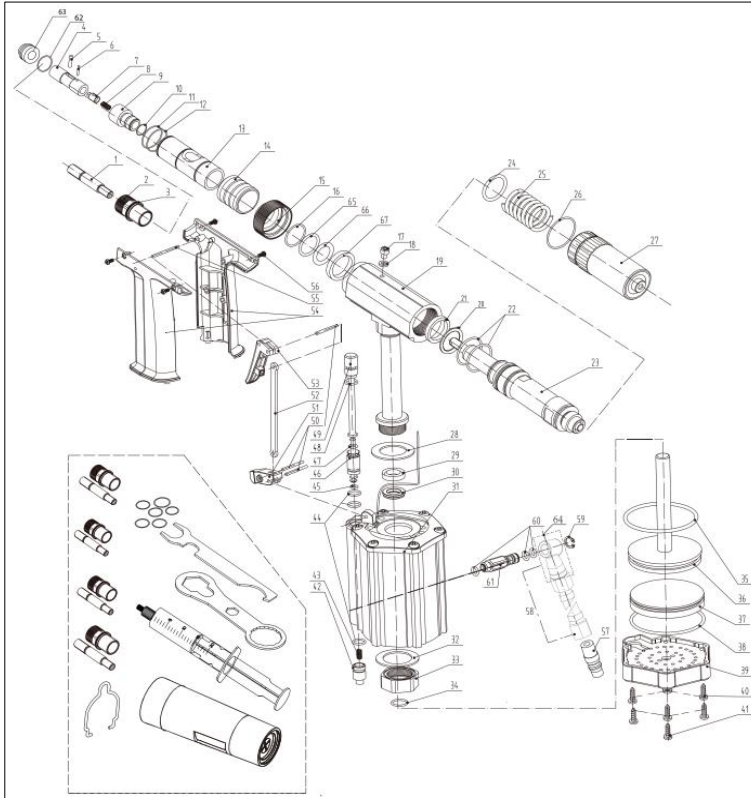


E-308NP



N°	Référence	Désignation
1	PN380-TIGE-08	mandrel M8
2	PN380-NEZ-08	anvil M8
3	PN380-3	locknut
4	PN380-4	connect sleeve
5	E-308NP-SP05	pin 3x15
6	PN380-6	pin
7	PN380-7	adaptor sleeve
8	PN380-8	spring
9	PN380-9	swivel nut
10	PN380-10	O-ring
11	PN380-11	wire circlip
12	PN380-12	O-ring
13	PN380-13	nose pedestal
14	PN380-14	sleeve
15	PN380-15	knured cover
16	PN380-16	wire circlip
17	PR500-A-11	screw
18	PR500-A-12	washer
19	PN380-19	assembly oil cylinder
20	PN380-21	piston pin washer
21	PN380-20	U-ring
22	PN380-22	O-ring
23	PN380-23	assembly air motor
24	PN380-24	O-ring
25	PN380-25	return spring
26	PR500-A-21	O-ring
27	PN380-27	compressed spring pedestal
28	PR500-A-26	oil cylinder washer
29	PN380-29	U-ring
30	PN380-30	piston shaft washer
31	PN380-31	assembly air cylinder / Scall-it blue
32	PN380-32	oil cylinder locknut gasket
33	PN380-33	assembly oil cylinder locknut
34	PN380-34	O-ring
35	PN380-35	O-ring
36	PN380-36	assembly piston
37	PN380-37	piston pedestal
38	PN380-38	O-ring
39	PN380-39	air cylinder pedestal
40	E-312NP-SP57	air cylinder screw
41	PR500-A-38	air cylinder bottom screw
42	PN380-42	switch lower base
43	PN380-8	spring
44	PN380-10	O-ring
45	PR500-A-40	O-ring
46	PN380-46	switch upper base

N°	Référence	Désignation
47	PN380-47	O-ring
48	PR500-A-44	O-ring
49	PN380-49	assembly trigger shaft
50	PR500-A-46	pin
51	PN380-51	lever
52	PR500-A-48	connecting rod
53	PR500-A-49A	short trigger balck
54	PR500-A-50	assembly grips
55	PR500-A-51	pin
56	PR500-A-52	screw EU
57	PR500-A-53B	air adaptor EU
58	PN380-58	assembly air adaptor with hose w/o switch
59	PR500-A-55	A-circlip
60	PR500-A-56	O-ring
61	PR500-50	assembly air adaptor joint
62	PN380-62	O-ring
63	PN380-63	sliding sleeve
64	PN380-SJ	swivel joint (wearable part of A00117-00) pos. 58
65	PN380-65	O-ring
66	PN380-66	support ring
67	PN380-67	U-ring
E-308NP Accessories Pack	PN380-NEZ-03	anvil M3
	PN380-NEZ-04	anvil M4
	PN380-NEZ-05	anvil M5
	PN380-NEZ-06	anvil M6
	PN380-3	locknut
	PN380-TIGE-03	mandrel M3
	PN380-TIGE-04	mandrel M4
	PN380-TIGE-05	mandrel M5
	PN380-TIGE-06	mandrel M6
	PR500-A-40	O-ring
	PN380-47	O-ring
	PR500-A-44	O-ring
	PR500-A-21	O-ring
	PR500-A-CROCHET	hook
	PN380-CLE	wrench
	PN380-64	air flow adjuster
PR500-A-KITINJECT	oil injector set	
PN380-SPANNER	hook-shaped wrench	