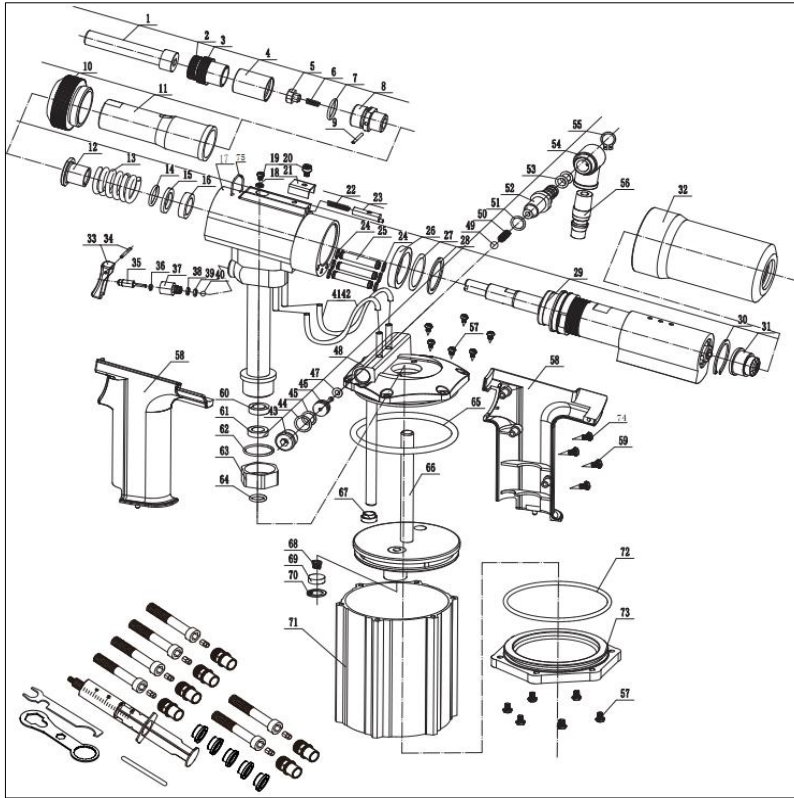


## E-312NP



N°	Référence	Désignation
1	E-312NP-TIGE-12	cap screw M12
2	E-312NP-NEZ-12	anvil M12
3	E-312NP-SP03	locknut
4	E-312NP-SP04	adaptor sleeve
5	E-312NP-SP05	drive bar for M12
6	E-312NP-SP06	spring
7	E-312NP-SP07	O-ring 16x2.4
8	E-312NP-SP08	spring house
9	E-312NP-SP09	pin
10	E-312NP-SP10	retaining ring
11	E-312NP-SP11	nose sleeve
12	E-312NP-SP12	spring seat
13	E-312NP-SP13	return spring
14	E-312NP-SP14	O-ring 18x1.9
15	E-312NP-SP15	support ring
16	F00031-00	U-ring
17	E-312NP-SP17	oil cylinder
18	PR500-A-12	washer
19	PR500-A-11	screw
20	E-312NP-SP20	screw
21	E-312NP-SP21	stroke setting slider
22	E-312NP-SP22	spring
23	E-312NP-SP23	lock pin
24	E-312NP-SP24	O-ring 6x1.0
25	E-312NP-SP25	hose
26	E-312NP-SP26	U-ring 27x35x5.0
27	E-312NP-SP27	O-ring 35x1.5
28	E-312NP-SP28	support ring
29	E-312NP-SP29	air motor
30	E-312NP-SP30	circlip
31	E-312NP-SP31	release button set
32	E-312NP-SP32	stroke setting knob
33	E-312NP-SP33	button
34	E-312NP-SP34	pin
35	E-312NP-SP35	switch pusher
36	E-312NP-SP36	O-ring 5x1.9
37	E-312NP-SP37	switch sleeve
38	E-312NP-SP38	O-ring 6x1.0
39	E-312NP-SP39	O-ring 6x1.5
40	E-312NP-SP40	steel ball
41	E-312NP-SP41	hose 6.0x1.2
42	E-312NP-SP42	hose 4.5x1.09
43	E-312NP-SP43	blockage end
44	E-312NP-SP44	O-ring
45	PN380-10	O-ring
46	E-312NP-SP46	control rod
47	E-312NP-SP47	O-ring 8.4x2.0
48	E-312NP-SP48	air cylinder lid
49	E-312NP-SP49	rubber ball dia. 6.0
50	E-312NP-SP50	spring
51	PN380-10	O-ring
52	E-312NP-SP52	connector

N°	Référence	Désignation
53	PR500-A-56	O-ring
54	E-312NP-SP54	air swivel joint
55	PR500-A-55	A-circlip
56	PR500-A-53B	air adaptor EU
57	E-312NP-SP57	air cylinder screw
58	E-312NP-SP58	grip
59	E-312NP-SP59	self-drilling screw
60	E-312NP-SP60	U-ring 10x16x4.5
61	E-312NP-SP61	support ring
62	E-312NP-SP62	O-ring 24x1.5
63	E-312NP-SP63	nut
64	PN380-34	O-ring 13x1.5
65	E-312NP-SP65	O-ring
66	E-312NP-SP66	piston
67	E-312NP-SP67	dust ring 8x12x3.5
68	E-312NP-SP68	spring
69	E-312NP-SP69	gasket
70	E-312NP-SP70	circlip
71	E-312NP-SP71	air cylinder Seal-it blue
72	E-312NP-SP72	O-ring
73	E-312NP-SP73	air cylinder bottom
74	E-312NP-SP74	self-drilling screw
75	E-312NP-SP75	hook
accessory	E-312NP-NEZ-10	anvil M10
accessory	PN380-NEZ-08	anvil M8
accessory	PN380-NEZ-06	anvil M6
accessory	PN380-NEZ-05	anvil M5
accessory	PN380-NEZ-04	anvil M4
accessory	PN380-NEZ-03	anvil M3
accessory	E-312NP-SP03	locknut
accessory	E-312NP-ACC6	drive bar washer for M8
accessory	E-312NP-ACC5	drive bar washer for M6
accessory	E-312NP-ACC4	drive bar washer for M5
accessory	E-312NP-ACC3	drive bar washer for M4
accessory	E-312NP-ACC2	drive bar washer for M3
accessory	E-312NP-ACC7	drive bar for M10
accessory	E-312NP-ACC12	drive bar for M8
accessory	E-312NP-ACC11	drive bar for M6
accessory	E-312NP-ACC9	drive bar for M5
accessory	E-312NP-ACC8	drive bar for M4
accessory	E-312NP-ACC10	drive bar for M3
accessory	E-312NP-TIGE-10	cap screw M10
accessory	E-312NP-TIGE-08	cap screw M8
accessory	E-312NP-TIGE-06	cap screw M6
accessory	E-312NP-TIGE-05	cap screw M5
accessory	E-312NP-TIGE-04	cap screw M4
accessory	E-312NP-TIGE-03	cap screw M3
accessory	E-312NP-ACC13	anti-block sticker
accessory	E-312NP-ACC1	injection tube
accessory	PN380-CLE	wrench
accessory	PN380-SPANNER	hook-shaped wrench