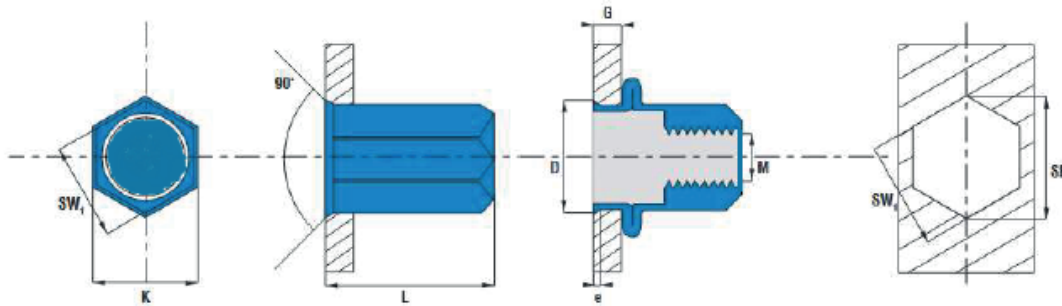


HCRB - STEEL FULL HEXAGON REDUCED INSERT CLOSED END

Body Steel.



PART No/REF	M	SW	SW ₁	SE	D	K	L	G
	Ø (mm)	Ø (mm)	(mm)	(mm)	(mm)	(mm)	(mm)	min-max (mm)
HCRB0420	M4	6.0	5.85	7.55	7.55	7.0	16.0	0.5-2.5
HCRB0530	M5	7.0	6.82	8.75	8.75	8.0	20.0	0.5-3.0
HCRB0630	M6	9.0	8.9	10.94	10.94	10.0	20.5	1.0-3.5
HCRB0830	M8	11.0	10.85	13.55	13.55	12.0	23.0	1.0-4.0

	RECOMMENDED MAX TORQUE	PULL-OUT	SHEAR
M (mm)	(Nm)	(N)	(N)
M4	4.0	6750	1900
M5	7.0	12450	2400
M6	14.0	17400	3000
M8	24.0	25200	4400

■ Rectangular S