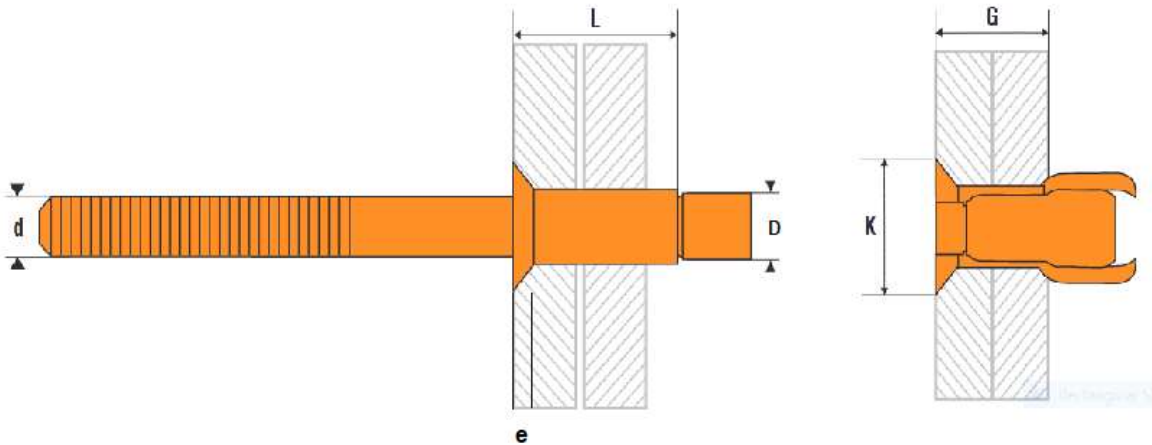
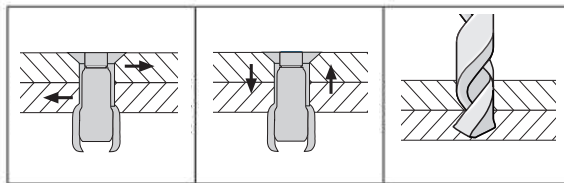


SPHK - SUPERIV STRUCTURAL RIVET

Mandrel: Aluminium. Body: Aluminium. Countersunk Head.



PART NO/REF	D	L	e	d	K	G Min-Max
	(mm)	(mm)	(mm)	(mm)	(mm)	(mm)
SPHK48120	4.8	13.0	2.2	3.1	8.8	3.2-8.4
SPHK48160	4.8	17.0	2.2	3.1	8.8	7.7-12.7
SPHK64160	6.4	17.0	2.4	4.1	10.6	4.1-12.1
SPHK64220	6.4	22.0	2.4	4.1	10.6	5.0-17.5



D ₁ (mm)	(N)	(N)	Ø (mm)
4.8	2 400	2 000	5.0-5.4
6.4	5 600	3 600	6.6-7.0