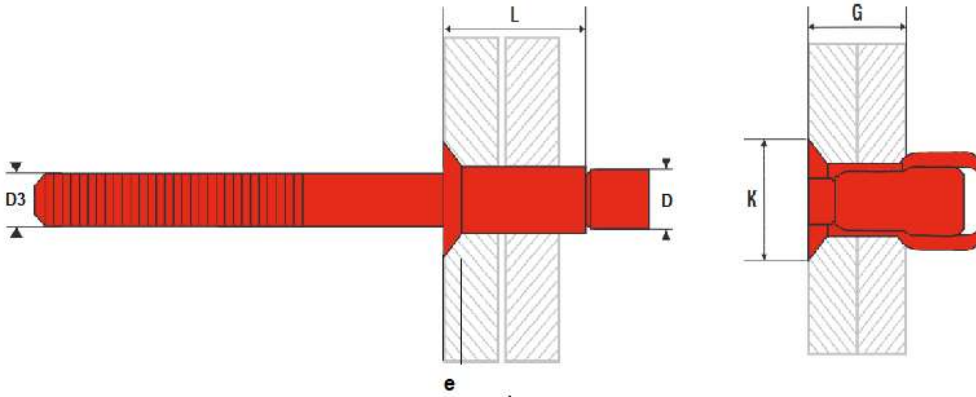
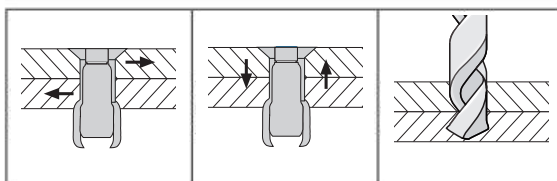


SPSK - SUPERIV STRUCTURAL RIVET

Mandrel: Steel. Body: Steel. Countersunk Head.



PART NO/REF	D	L	e	D3	K	G
	(mm)	(mm)	(mm)	(mm)	(mm)	Min-Max (mm)
SPSK48120	4.8	12.5	2.2	3.1	8.8	3.2-8.4
SPSK64170	6.4	17.0	2.4	4.1	10.6	4.3-12.0



D ₁ (mm)	(N)	(N)	Ø (mm)
4.8	5 700	4 400	5.0-5.4
6.4	10 500	8 000	6.6-6.9