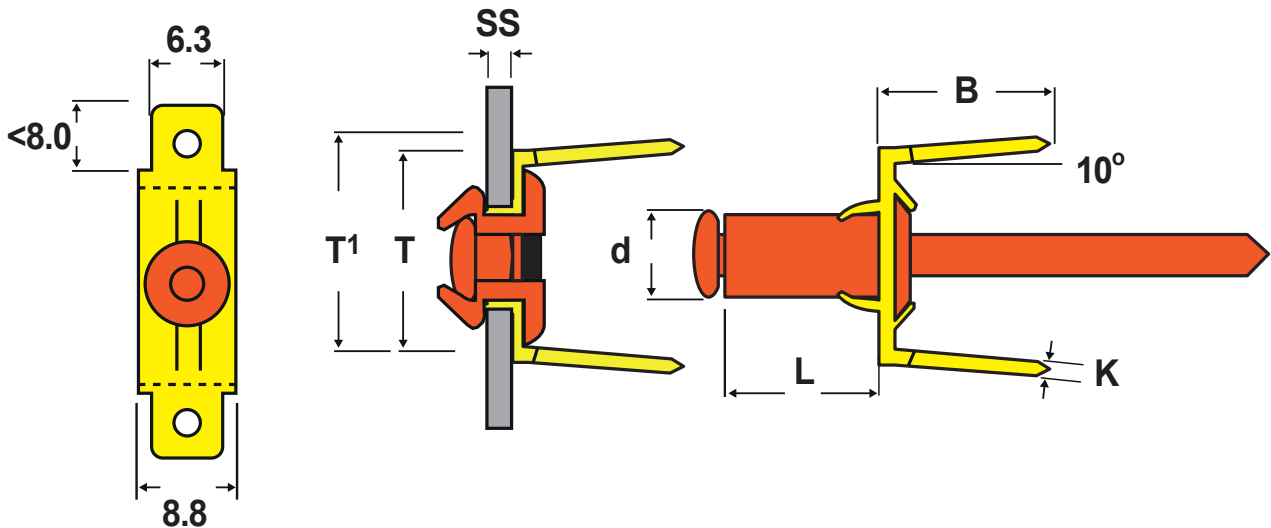
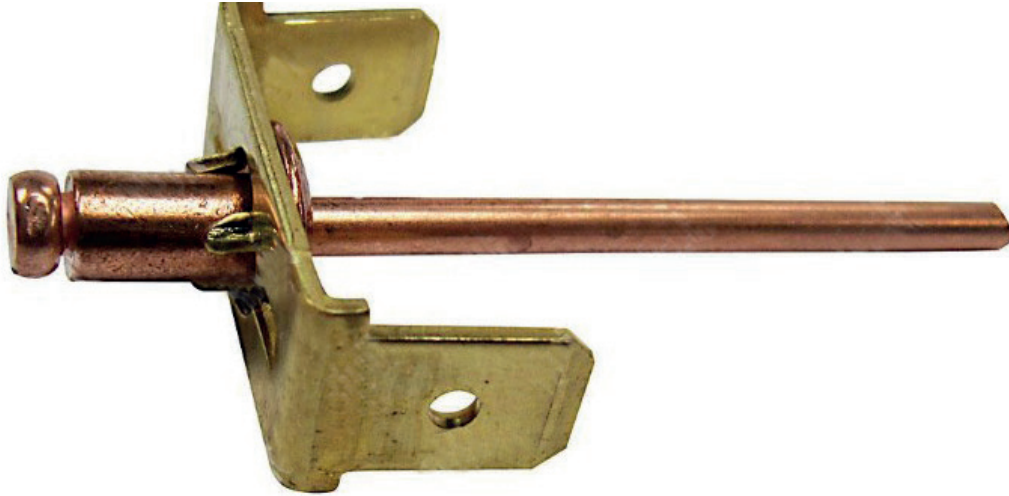


MASSX2 BLIND RIVET COPPER/COPPER STEEL GR 0,8 2 BRASS FASTON

Mandrel: Copper. Body: Copper Steel.



Hole diameter	5.4 mm
d Rivet diameter	4.0 mm
B Faston fin length	10.0 mm
L Rivet length	6.0 mm
K Head thickness	0.8 mm
Shear failure load	1,200 N
Tensile breaking load	1,700 N
SS Clampable thickness	0.8 - 1.5 mm
T	19.0 mm
T1	20.0 mm
Body material	copper
Nail material	copper-plated steel