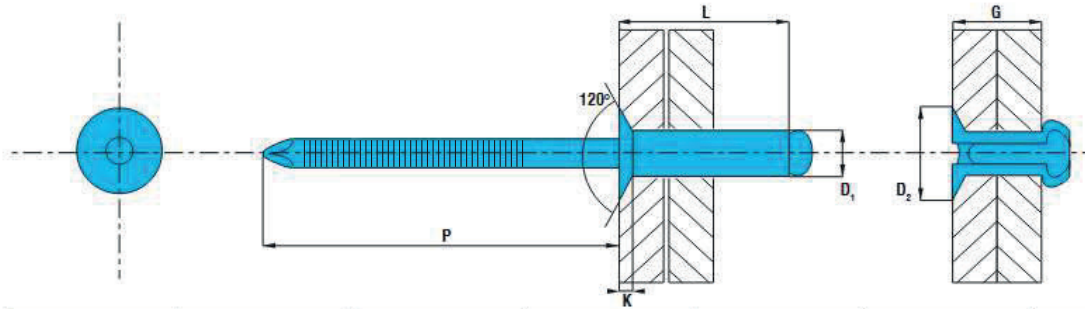
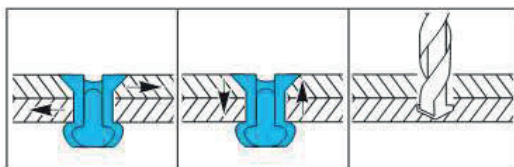


# BTK - COUNTERSUNK HEAD

Mandrel: Stainless A2. Body: Stainless A2. Countersunk Head.



Part No/REF	D1 Ø(mm)	L (mm)+1.0/-0.2	D2 Ø(mm)	K (mm)	Hole Diameter Ø(mm)	P mini (mm)	G min-max (mm)
BTK3206	3.2 +0.08/ -0.10	6.0	6.0 -0.4/ +0.0	0.9 -0.2/ +0.2	3.3	27	1.0-3.0
BTK3208		8.0					3.0-5.0
BTK3210		10.0					5.0-7.0
BTK3212		12.0					7.0-9.0
BTK4008	4.0 +0.08/ -0.10	8.0	7.5 -0.5/ +0.0	1.0 -0.2/ +0.2	4.1	27	2.5-4.5
BTK4010		10.0					4.5-6.5
BTK4012		12.0					6.5-8.5
BTK4015		16.0					8.5-11.0
BTK4808	4.8 +0.08/ -0.10	8.0	9.0 -0.5/ +0.0	1.2 -0.2/ +0.2	4.9	27	2.5-4.0
BTK4810		10.0					4.0-6.0
BTK4812		12.0					6.0-8.0
BTK4815		16.0					8.0-10.0
BTK4821		21.0					11.0-15.0
BTK4825		25.0					15.0-20.0



D <sub>1</sub> (mm)	(N)	(N)	Ø (mm)
3.2	1 900	2 500	3.3
4.0	3 100	3 800	4.1
4.8	4 500	6 000	4.9