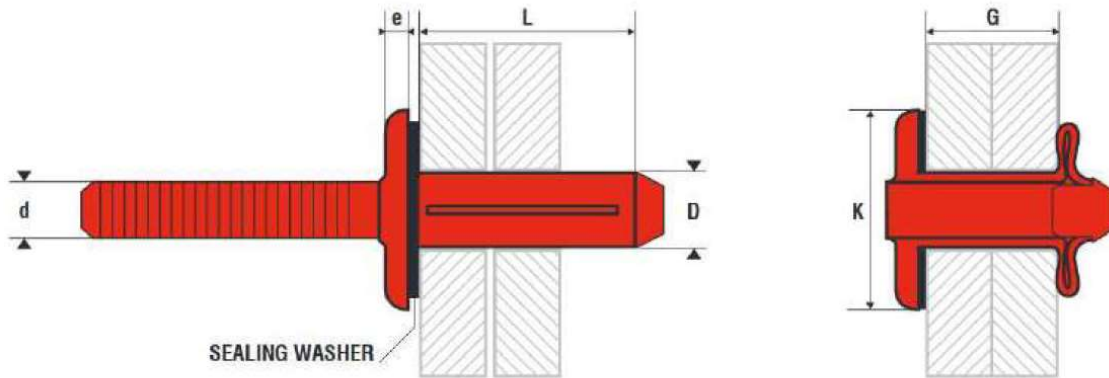


WESD - TRIFORM C/W SEALING WASHER

Mandrel: Steel. Body: Steel. Dome Head.



Ø mm (inches)	L mm	G mm		K mm	e mm	d mm	←→ N	⊕ N	⊗		Référence
		min.	max.						min.	max.	
6.3 (1/4")	20.2	1.0	6.4	14.5	4.0	3.9	5 550	4 200	Ø6.2	Ø6.6	WESD6320
	23.4	3.2	9.5						WESD6323		