

# E-308NP PNEUMATIC RIVNUT SETTING TOOL

■ **Description**

Pneumatic rivnut setting tool.

■ **Technical details**

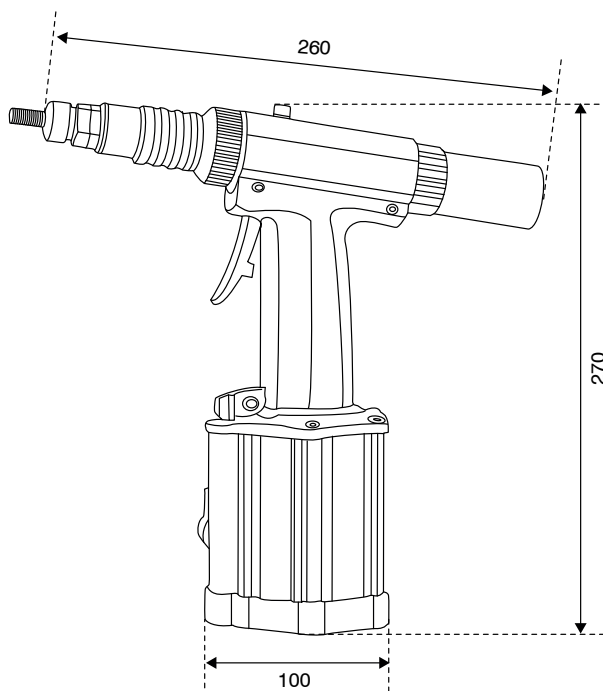
Air supply pressure: 0.5Mpa ~ 0.7Mpa  
 Output traction power: 14,000 N ~ 19,600 N  
 Stroke: 1 mm ~ 7 mm adjustable  
 Net weight : 1.70 kgs

■ **Kit contents**

- Setting Tool
- 5 mandrels (M3 to M8)
- 1 user manual




■ **Dimensions**



■ **Features**

- The rivnut is automatically screwed onto the mandrel before installation.
- The mandrel is automatically unscrewed after crimping by releasing the trigger.

■ **Rivnut Range**

	M3	M4	M5	M6	M8
Aluminium	✓	✓	✓	✓	✓
Steel	✓	✓	✓	✓	✓
Stainless steel	✓	✓	✓	✓	✓

■ **Guarantee - 1 year.**