

# PNEUMATIC PIN & COLLAR SETTING TOOL FOR PIN & COLLARS 5/16" to 3/8"

E100PC

## FEATURES

Self-releasing design.

## SPECIFICATIONS

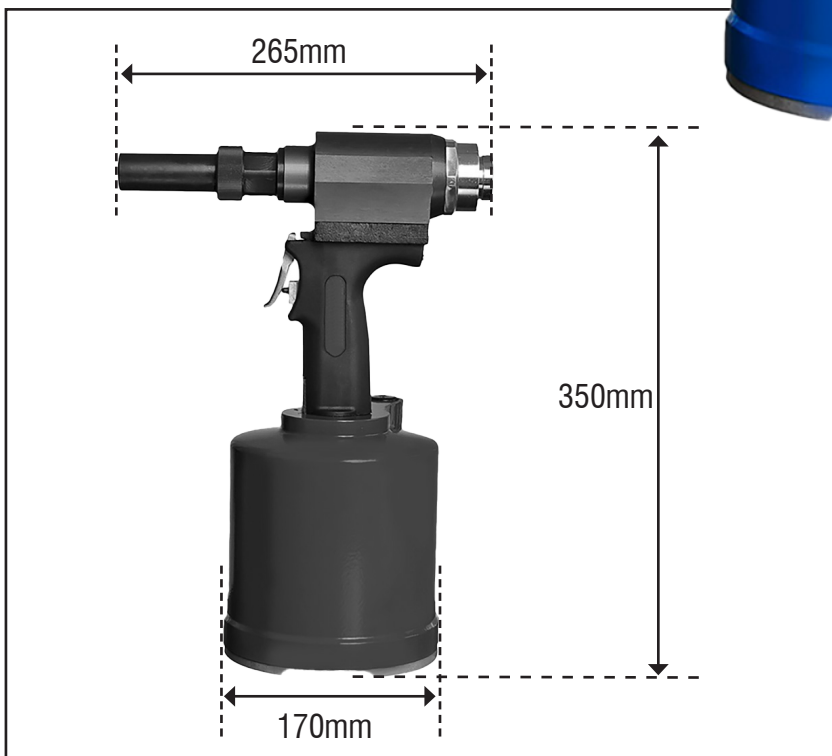
Air Supply: 5 bar - 7 bar  
Traction Power : 30,600 N - 42,840 N  
Stroke: 22 mm  
Net Weight: 5.10 kg

## CAPACITY\*

Pin & collars - all materials.  
7.9mm - 9.5mm (5/16" - 3/8").  
Multigrip pins: SBSD, SBHD. Hyperbolts: HBSD, HBHD.



## DIMENSIONS



*\*Note: Tool is supplied with only one adaptor size which must be specified at time of ordering. Additional adaptor sizes can be purchased separately. Please contact us for availability.*